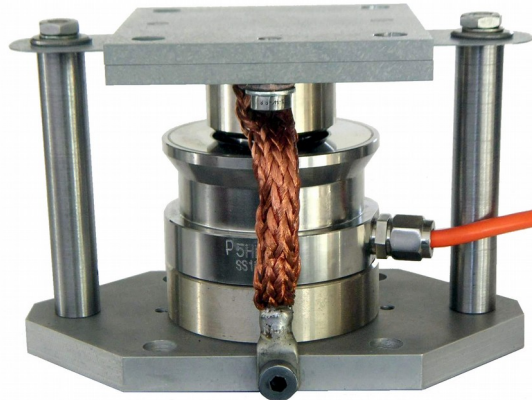




Weighing Module

B-DJ-M5

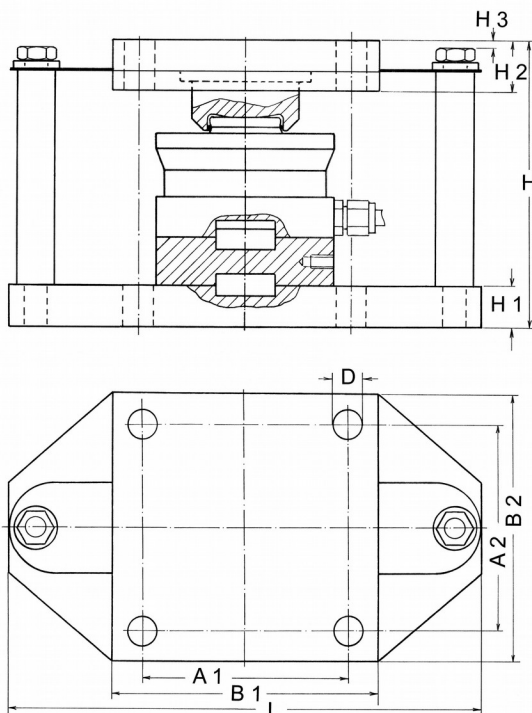
Capacities: 1, 2.2, 3.3, 4.7, 10, 15, 22, 33, 47, 68, 100, 150 t.



Characteristics:

- Compact design
- Aligned mounting holes in head and base plate
- Optimised force transmission from head plate to load cell
- Load cell made of stainless steel (17-4PH)
- Sensitivity 2.85 mV/V
- Accuracy class C3 (10-47t), 0.02% (others)
- Environmental protection IP 68

Dimensions:



Capacity [t]	Dimensions [mm]							
	H	H1	H2	H3	L	B1=B2	A1=A2	D
1/2.2/3.3/4.7	101	10	18	1.0	160	90	70	9
10 / 15 / 22	120	15	18	1.0	175	100	75	11
33	150	15	22	1.5	220	120	90	13
47	167	15	22	1.5	290	165	130	21
68	177	15	22	1.5	290	165	130	21
100	213	20	29	2.5	345	195	150	22
150	223	20	29	2.5	345	195	150	22

Dimensions in mm.

Cable Diameter max. 5 mm, Cable Length 8 m (1-4.7t) and 12 m (10-47t) and 16 m (68-150t), 4-wire.



Weighing Module

B-DJ-M5

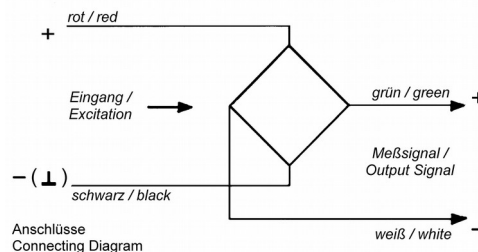
Technical Specifications:

Used Load Cell: B-DJ

Capacity	(E_{max})	[t]	1–4.7, 68–150, 10–47.
Accuracy Class			0.02% C3 (OIML R60)
Maximum Number of Load Cell Intervals	(n_{LC})		3000
Minimum Load Cell Verification Interval	(V_{min})	[% of E_{max}]	0.01
Sensitivity	(C_n)	[mV/V]	2.85 ± 0.02
Non-Linearity	(d_{lin})	[% of C_n]	≤ 0.02 ≤ 0.018
Zero Balance		[% of C_n]	≤ 1
Temperature Effect on Zero Balance	(TC_0)	[%C/10K]	≤ 0.02
Temperature Effect on Sensitivity	(TC_C)	[%C/10K]	≤ 0.02
Minimum Dead Load		[% of E_{max}]	0
Safe Load Limit	(E_{lim})	[% of E_{max}]	150
Breaking Load	(E_d)	[% of E_{max}]	300
Deflection at E_{max}		[mm]	≤ 0.30
Creep (over 30 Minutes)		[% of C_n]	≤ 0.02 ≤ 0.017
Zero Return after 30 Minutes		[% of C_n]	≤ 0.02 ≤ 0.017
Excitation		[V]	5 ... 15
Input Resistance	(R_{LC})	[Ω]	1450 ± 50
Output Resistance	(R_{OUT})	[Ω]	1405 ± 5
Insulation Resistance		[MΩ]	> 5000 (at 50V DC)
Nominal Temperature Range		[°C]	-10 ... +40
Service Temperature Range		[°C]	-30 ... +70
Storage Temperature Range		[°C]	-40 ... +75
Material of Load Cell			Stainless Steel (17-4PH)
Material of Other Parts		either	Stainless Steel or Galvanised Steel
Protection Class to EN 60 529			IP68

Cable/Connections:

- 4-wire cable, 8 m (1-4.7t) and 12 m (10-47t) and 16 m (68-150t) long;
- Cable screened, screen not connected with load cell body;
- Cable diameter approx. 5 mm;
- End of wires stripped and tinned.



Excitation +	red
Excitation -	black
Signal +	green
Signal -	white

Optional Accessories:



Load Cell Junction Box, Model AK,
Stainless Steel Housing IP65



Load Cell Connection Cable,
4-wire or 6-wire, screened

More Weighing Technology (e .g. load cells, weight indicators, weighing amplifiers) on www.gbuettner.de.