



## Weighing Electronic Unit

for Panel Mount or Top-Hat Rail Mount

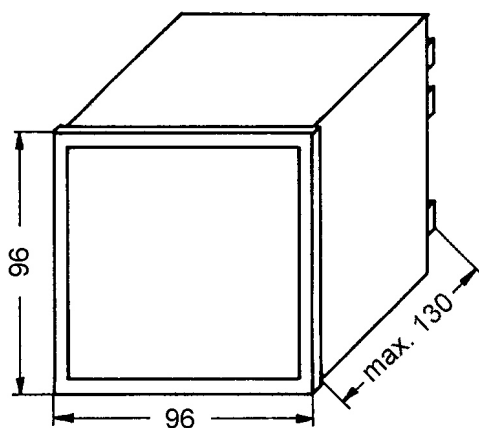
# MLC96



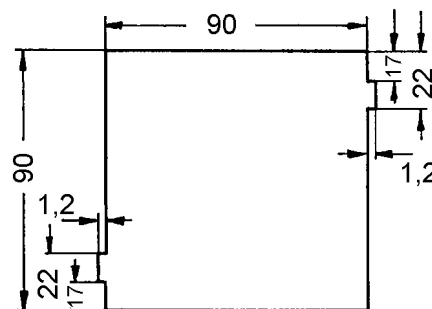
### Characteristics:

- 1-2-lines LCD-Display, Digits 8-16mm high
- Internal 24-bit Converter
- Serial Interface RS232 (for Printer or PC)
- Analog Output 4-20mAmps (for PLC)
- Option: 2 Set Points (min./max.)
- ABS DIN Housing 96x96mm
- For Supply 24VDC (as option) or standard 230VAC (with power supply unit)

### Dimensions:

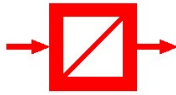


Aussenabmessungen  
Outer Dimensions



Schalttafel ausbruch  
Control Panel Dimension

Dimensions in mm.



## Weighing Electronic Unit

## MLC96

### Technical Specifications:

Maximum Resolution	d	10,000
Input Sensitivity	$\mu\text{V/d}$	0.33
Zero Range	mV/V	2.5
Analog Input Range / Measuring Range	mV/V	3
Internal Resolution		8,388,608
A/D Converter		24-bit
Sampling Rate	1/s	8
Digital Filter		Averaging (10 readings)
Display		LCD, 1-2-lines, digits 8-16mm high
Load Cell Connection		4-wire (screened)
Maximum Number of Load Cells	$\Omega$	4 x 350
Maximum Load Cell Resistance	$\Omega$	35,000
Minimum Load Cell Resistance	$\Omega$	87
Maximum Power Consumption (at 4x350 $\Omega$ Load Cells)	W	2.4
Load Cell Excitation	V DC	5 (max. 125mA)
Non-Linearity of Measuring Range	%	0.018
Temperature Coefficient of Zero Signal per 10K	%	0.003
Temperature Coefficient of Sensitivity per 10K	%	0.006
Supply Voltage (Option)	V DC	24 (18-28)
Current Consumption	A	0.1
Supply Voltage (Standard with Power Supply Unit)	V AC	230 (85-264)
- Supply Frequency	Hz	50 – 60
- Nominal Current	A	0.3 – 0.1
Outputs / Interfaces		
- Serial Interface RS232 (for Printer/PC)		yes
- Second Serial Interface RS232		OPTION
- 2 Set Points (min./max.)		OPTION
- Analog Output 4-20mAmps (for PLC)		yes
Operating Conditions		
- Service Temperature (Storage Temperature)		-10 to +40°C (-20 to +50°C)
- Humidity		<90% RH, not condensing
Dimensions of Housing with Brackett (WxHxD)	mm	96 x 96 x 130
Weight	kg	0.4
Material of Housing		ABS
Protection Class to EN 60 529		IP54

### Connections:

Connector A Load Cell Connection	
1	Load Cell Excitation +
2	Load Cell Excitation -
3	Load Cell Signal +
4	Load Cell Signal -
5	Screen

Connector B – Supply & Outputs	
1	Screen / Earth
2	4-20mA (max. 300 $\Omega$ )
3	RXD (RS232) (Sub-D Pin 3)
4	TXD (RS232) (Sub-D Pin 2)
5	Supply + 18-28V DC ca. 100mA
6	Supply - / 0 / GND

Connector C Set Points	
6	Control Voltage
7	Set Point 1 (min.)
8	Set Point 2 (max.)