

Load Cell

B84

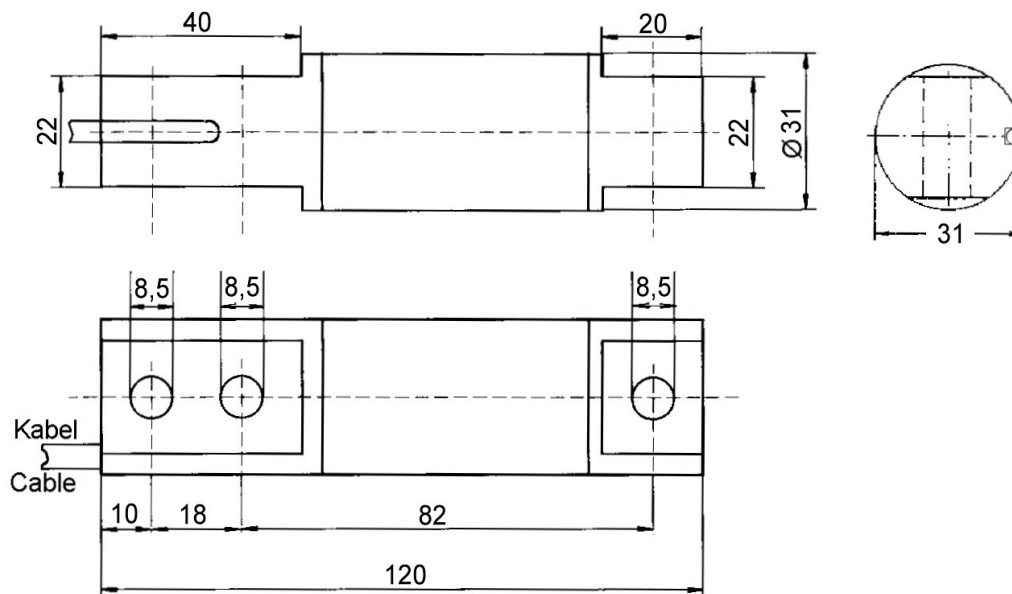
Capacities: 10, 15, 20, 50, 70, 100, 150, 200 kg.



Characteristics:

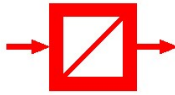
- For tension and compression
- Parallel connection with other load cells possible
- Simple mounting
- Mounting accessories available as option
- Load cell made of stainless steel (17-4PH)
- Sensitivity 2.00 mV/V
- Accuracy class 0.02%
- Environmental protection IP 65

Dimensions:



Dimensions in mm.

Cable Diameter max. 5 mm, Cable Length 3.5 m, 4-wire.



Load Cell

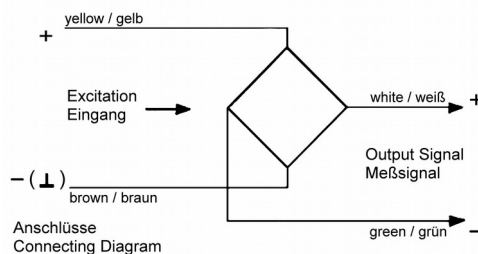
B84

Technical Specifications:

Capacity	(E_{max})	[kg]	10, 15, 20, 50, 70, 100, 150, 200.
Accuracy Class			0.02%
Maximum Number of Load Cell Intervals	(n_{LC})		3000
Minimum Load Cell Verification Interval	(V_{min})	[% of E_{max}]	0.01
Sensitivity	(C_n)	[mV/V]	2.00 ± 0.02
Non-Linearity	(d_{lin})		≤ 0.02
Zero Balance		[% of C_n]	≤ 1
Temperature Effect on Zero Balance	(TC_0)	[%C/10K]	≤ 0.02
Temperature Effect on Sensitivity	(TC_C)	[%C/10K]	≤ 0.02
Minimum Dead Load		[% of E_{max}]	0
Safe Load Limit	(E_{lim})	[% of E_{max}]	150
Breaking Load	(E_d)	[% of E_{max}]	300
Deflection at E_{max}		[mm]	≤ 0.30
Creep (over 30 Minutes)		[% of C_n]	≤ 0.02
Zero Return after 30 Minutes		[% of C_n]	≤ 0.02
Excitation		[V]	5 ... 15
Input Resistance	(R_{LC})	[Ω]	385 ± 50
Output Resistance	(R_{OUT})	[Ω]	350 ± 5
Insulation Resistance		[M Ω]	> 5000 (at 50V DC)
Nominal Temperature Range		[$^{\circ}C$]	-10 ... +40
Service Temperature Range		[$^{\circ}C$]	-20 ... +60
Storage Temperature Range		[$^{\circ}C$]	-40 ... +70
Material of Load Cell			Stainless Steel (17-4PH)
Material of Other Parts			none
Protection Class to EN 60 529			IP65

Cable/Connections:

- 4-wire cable, 3 m long;
- Cable screened, screen not connected to load cell body;
- Cable diameter approx. 5 mm;
- End of wires stripped and tinned.



Excitation +	yellow
Excitation -	brown
Signal +	white
Signal -	green

Optional Accessories:



Load Cell Junction Box, Model AK,
Stainless Steel Housing IP65



Load Cell Connection Cable,
4-wire or 6-wire, screened

More Weighing Technology (e. g. load cells, weight indicators, weighing amplifiers) on www.gbuettner.de.