



## Load Cell

# B74

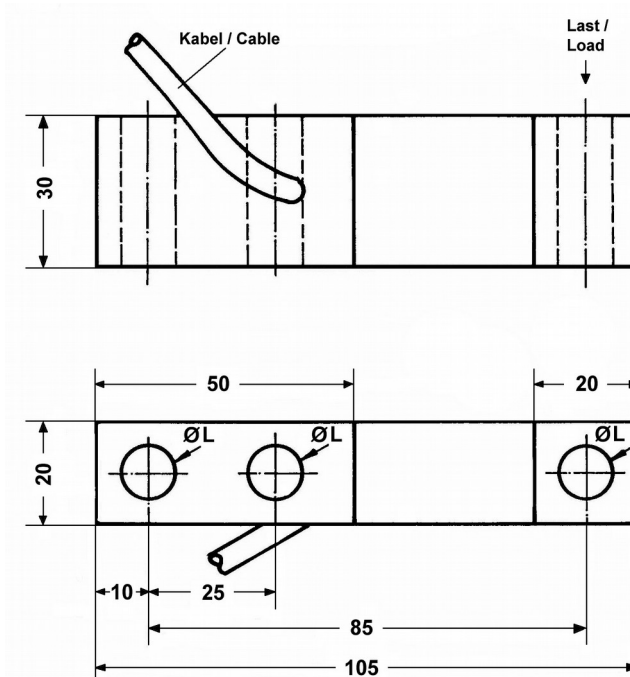
Capacities: 5, 10, 15, 25, 150 kg.



### Characteristics:

- For tension and compression
- Parallel connection with other load cells possible
- Simple mounting
- Mounting accessories available as option
- Load cell made of aluminium
- Sensitivity 2.00 mV/V
- Accuracy class 0.02%
- Environmental protection IP 65

### Dimensions:



Capacity [kg]	Dimensions L [mm]
5 / 10 / 15 / 25	6,5
150	11

Dimensions in mm.

Cable Diameter max. 5 mm, Cable Length 3.5 m, 4-wire.



**Load Cell**

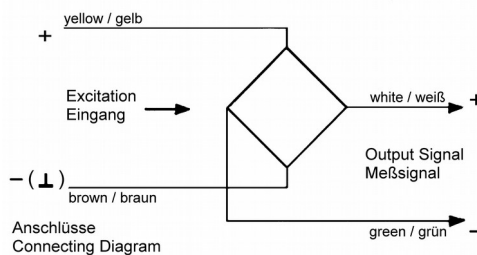
**B74**

*Technical Specifications:*

Capacity	( $E_{max}$ )	[kg]	5, 10, 15, 25.
Accuracy Class			0.02%
Maximum Number of Load Cell Intervals	( $n_{LC}$ )		3000
Minimum Load Cell Verification Interval	( $V_{min}$ )	[% of $E_{max}$ ]	0.01
Sensitivity	( $C_n$ )	[mV/V]	$2.00 \pm 0.02$
Non-Linearity	( $d_{lin}$ )	[% of $C_n$ ]	$\leq 0.02$
Zero Balance		[% of $C_n$ ]	$\leq 1$
Temperature Effect on Zero Balance	( $TC_0$ )	[%C/10K]	$\leq 0.02$
Temperature Effect on Sensitivity	( $TC_C$ )	[%C/10K]	$\leq 0.02$
Minimum Dead Load		[% of $E_{max}$ ]	0
Safe Load Limit	( $E_{lim}$ )	[% of $E_{max}$ ]	150
Breaking Load	( $E_d$ )	[% of $E_{max}$ ]	300
Deflection at $E_{max}$		[mm]	$\leq 0.30$
Creep (over 30 Minutes)		[% of $C_n$ ]	$\leq 0.02$
Zero Return after 30 Minutes		[% of $C_n$ ]	$\leq 0.02$
Excitation		[V]	5 ... 15
Input Resistance	( $R_{LC}$ )	[ $\Omega$ ]	$385 \pm 50$
Output Resistance	( $R_{OUT}$ )	[ $\Omega$ ]	$350 \pm 5$
Insulation Resistance		[M $\Omega$ ]	> 5000 (at 50V DC)
Nominal Temperature Range		[ $^{\circ}$ C]	-10 ... +40
Service Temperature Range		[ $^{\circ}$ C]	-20 ... +60
Storage Temperature Range		[ $^{\circ}$ C]	-40 ... +70
Material of Load Cell			Aluminium
Certification according to ATEX (Ex)			none
Protection Class to EN 60 529			IP65

*Cable/Connections:*

- 4-wire cable, 3.5 m long;
- Cable screened, screen not connected to load cell body;
- Cable diameter approx. 5 mm;
- Wires' ends stripped and tinned.



Excitation +	yellow
Excitation -	brown
Signal +	white
Signal -	green

*Optional Accessories:*



Load cell junction box, model AK,  
IP65 stainless steel housing



Load cell connection cable,  
4-wire or 6-wire, screened

Further weighing technology (e. g. weighing controllers) on [www.gbuettner.de](http://www.gbuettner.de).