

Load Cell

B74N

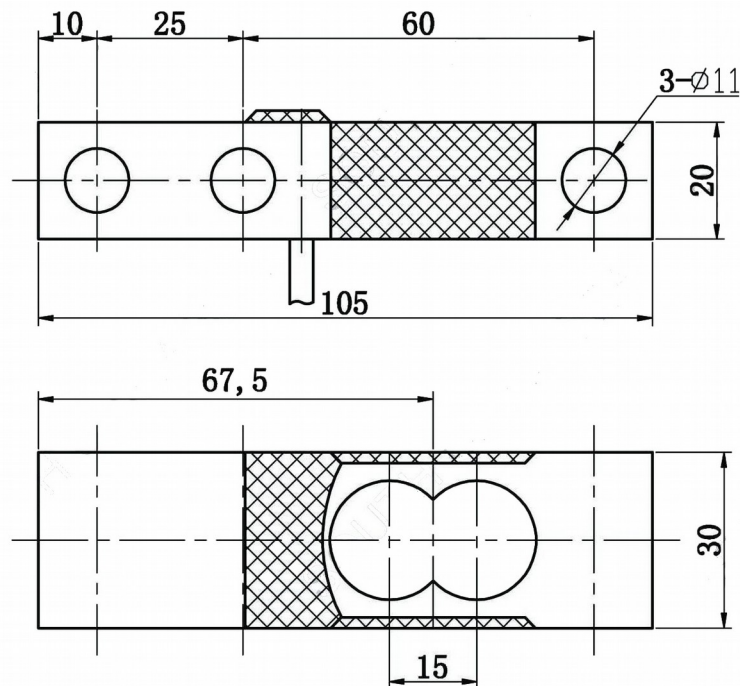
Capacities: 50, 100, 200, 250 kg.



Characteristics:

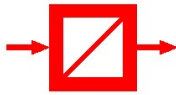
- For tension and compression
- Parallel connection with other load cells possible
- Simple mounting
- Mounting accessories available as option
- Load cell made of aluminium
- Sensitivity 2.00 mV/V
- Accuracy class 0.02%
- Environmental protection IP 65

Dimensions:



Dimensions in mm.

Cable Diameter max. 5 mm, Cable Length 3.5 m, 4-wire.



Load Cell

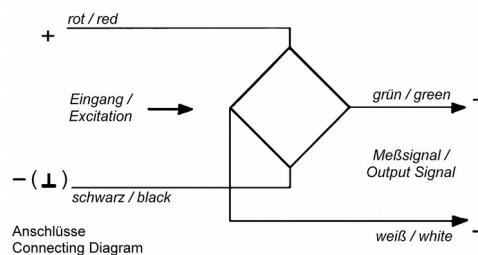
B74N

Technical Specifications:

Capacity	(E_{max})	[kg]	50, 100, 200, 250.
Accuracy Class			0.02%
Maximum Number of Load Cell Intervals	(n_{LC})		3000
Minimum Load Cell Verification Interval	(V_{min})	[% of E_{max}]	0.01
Sensitivity	(C_n)	[mV/V]	2.00 ± 0.02
Non-Linearity	(d_{lin})	[% of C_n]	≤ 0.02
Zero Balance		[% of C_n]	≤ 1
Temperature Effect on Zero Balance	(TC_0)	[%C/10K]	≤ 0.02
Temperature Effect on Sensitivity	(TC_C)	[%C/10K]	≤ 0.02
Minimum Dead Load		[% of E_{max}]	0
Safe Load Limit	(E_{lim})	[% of E_{max}]	150
Breaking Load	(E_d)	[% of E_{max}]	300
Deflection at E_{max}		[mm]	≤ 0.30
Creep (over 30 Minutes)		[% of C_n]	≤ 0.02
Zero Return after 30 Minutes		[% of C_n]	≤ 0.02
Excitation		[V]	5 ... 15
Input Resistance	(R_{LC})	[Ω]	385 ± 50
Output Resistance	(R_{OUT})	[Ω]	350 ± 5
Insulation Resistance		[M Ω]	> 5000 (at 50V DC)
Nominal Temperature Range		[$^{\circ}$ C]	-10 ... +40
Service Temperature Range		[$^{\circ}$ C]	-20 ... +60
Storage Temperature Range		[$^{\circ}$ C]	-40 ... +70
Material of Load Cell			Aluminium
Certification according to ATEX (Ex)			none
Protection Class to EN 60 529			IP65

Cable/Connections:

- 4-wire cable, 3.5 m long;
- Cable screened,
screen not connected
to load cell body;
- Cable diameter approx. 5 mm;
- Wires' ends stripped and tinned.



Excitation +	red
Excitation -	black
Signal +	green
Signal -	white

Optional Accessories:



Load cell junction box, model AK,
IP65 stainless steel housing



Load cell connection cable,
4-wire or 6-wire, screened

Further weighing technology (e. g. weighing controllers) on www.gbuettner.de.