

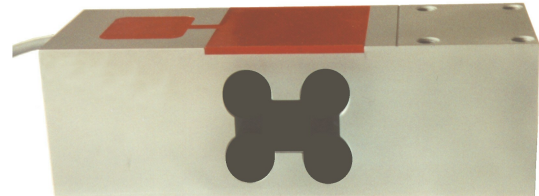
546-e

Load Cell, Type BSP 70

(Weighing Sensor)

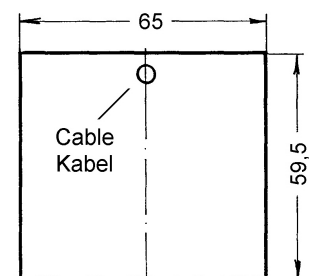
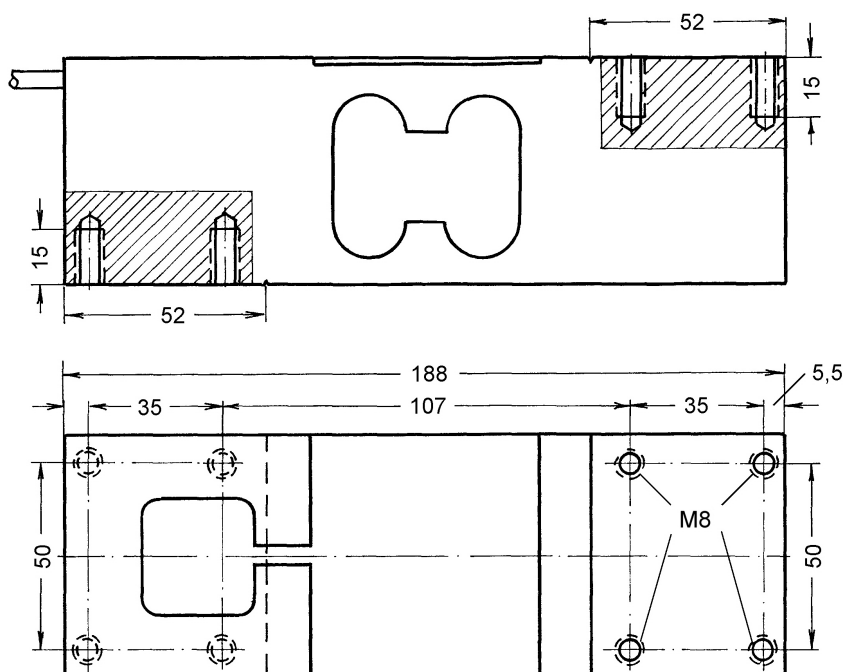
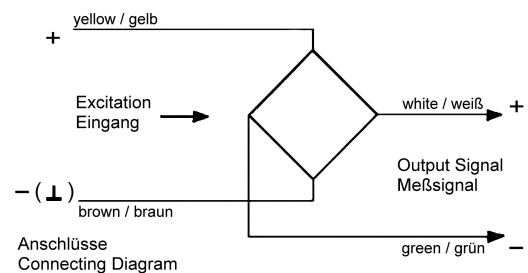
Single Point

- Load Cell for off-center loading
- For Platform Sizes up to 60 x 60 cm
- Measuring Body made of Aluminium Alloy, with screened 4-wires Connecting Cable, 3.5m long
- Temperature Range -10 to +40°C
- Non-Linearity $\pm 0.02\%$
- Zero Output Tolerance $\pm 5\%$
- Nominal Output at Capacity 2 mV/V $\pm 5\%$
- Excitation max. 12V
- Input Resistance approx. 380 Ω
- Output Resistance approx. 350 Ω
- Insulation Resistance >4G Ω
- Safe Overload 150%
- Mechanical Failure 300%
- Environmental Protection IP65
- Simple Mounting



Capacities:

**50, 70, 100, 150, 200, 300, 500,
600, 635 kg**



All mounting holes with inner thread M8.

Alle Befestigungslöcher mit Innengewinde M8.