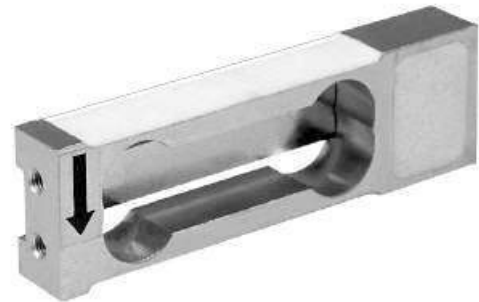




613-e

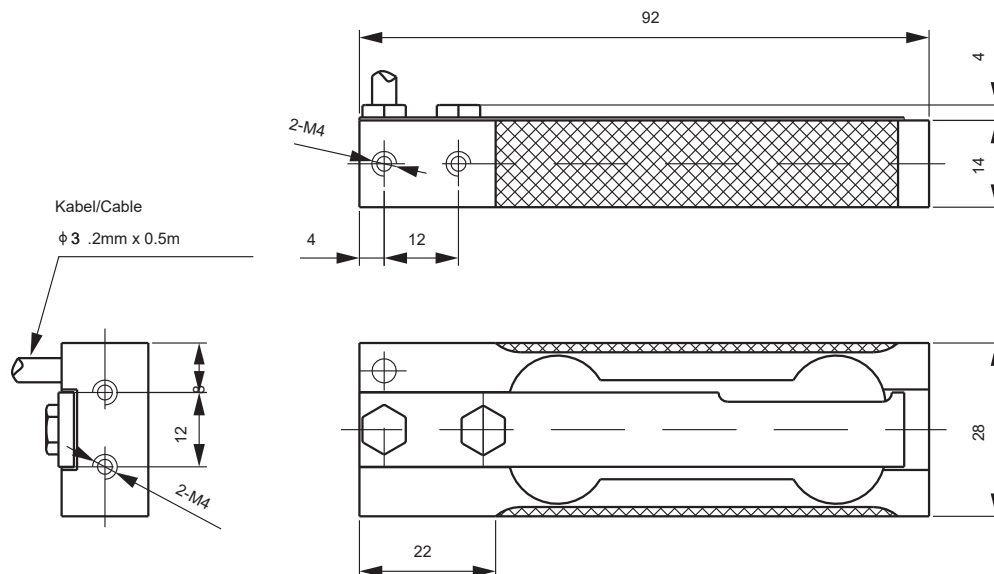
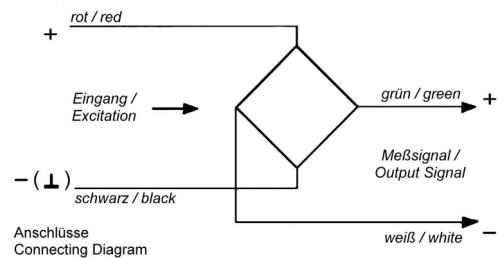
Single Point Load Cell, Type BSP 108AA Mini Load Cell

- Low Capacity Load Cell for off-center loading
- For Platform Sizes up to 20 x 20 cm
- Measuring Body made of Aluminium Alloy, with 4-wires Connecting Cable, 0.35m long
- Temperature Range -10 to +40°C
- Non-Linearity $\pm 0.05\%$
- Zero Output Tolerance $\pm 5\%$
- Nominal Output at Capacity:
 - 0.1 – 0.5 kg: 1 mV/V $\pm 20\%$
 - 1 – 5 kg: 2 mV/V $\pm 20\%$
- Excitation max. 12V
- Input Resistance approx. 415 Ω
- Output Resistance approx. 350 Ω
- Insulation Resistance >1G Ω
- Safe Overload 150%
- Mechanical Failure 200%
- Environmental Protection IP66
- Simple Mounting



Capacities:

0.1, 0.2, 0.3, 0.5, 1, 2, 3, 5 kg



All Dimensions in mm.