

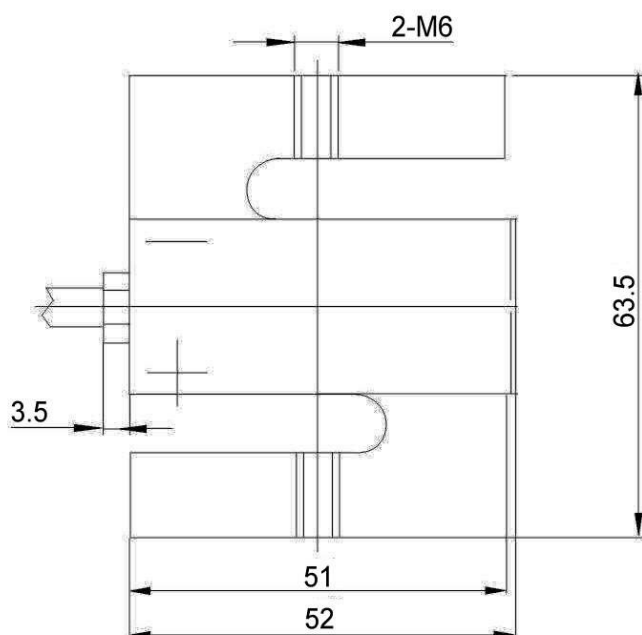
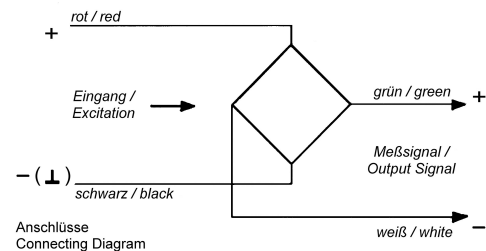
532-e

Load Cell, Type ST-DEM

(Weighing Sensor)

Capacity 30 kg

- For exact measurements of force and weight (tension and compression)
- Measuring Body made of Stainless Steel (Nickel Plated Steel version on request)
- Temperature Range -10 to +40°C
- Non Linearity $\pm 0.03\%$
- Zero Output Tolerance $\pm 1\%$
- Nominal Output at Capacity 2 mV/V $\pm 0.2\%$
- Excitation max. 15V
- Input Resistance $400\Omega \pm 10\Omega$
- Output Resistance $352\Omega \pm 3\Omega$
- Insulation Resistance $> 5G\Omega$
- Safe Overload 150%
- Mechanical Failure 200%
- Environmental Protection IP65
- Simple Mounting



Dimensions in mm

