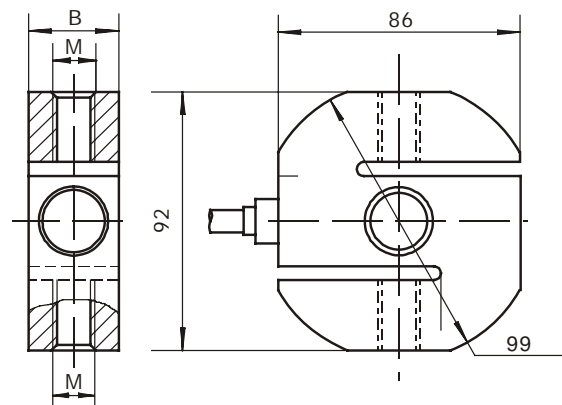
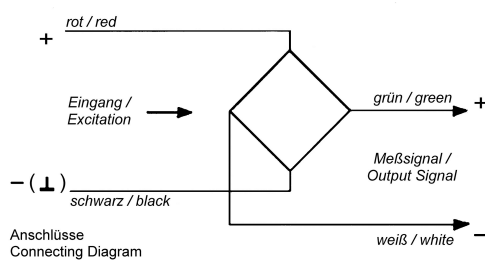


527-e

Load Cell, Type ST-BM (Weighing Sensor)

- For exact measurements of force and weight (tension and compression)
- Measuring Body made of Stainless Steel
- Temperature Range -10 to +40°C
- Non Linearity $\pm 0.02\%$
- Zero Output Tolerance $\pm 1\%$
- Nominal Output at Capacity 2 mV/V $\pm 0.2\%$
- Excitation max. 15V
- Input Resistance $350\Omega \pm 3.5\Omega$
- Output Resistance $350\Omega \pm 3.5\Omega$
- Insulation Resistance $> 5G\Omega$
- Safe Overload 150%
- Mechanical Failure 300%
- Environmental Protection IP68
- Simple Mounting



Dimensions in mm

Capacity [kg]	500	1000	2000	3000	4000	5000	6000	7500
B [mm]	32	32	32	32	36	50	50	50
M (Thread)	M12x1.75	M12x1.75	M20x1.5	M20x1.5	M20x1.5	M24x2	M24x2	M24x2
Cable [m]	3	6	6	6	6	6	6	6