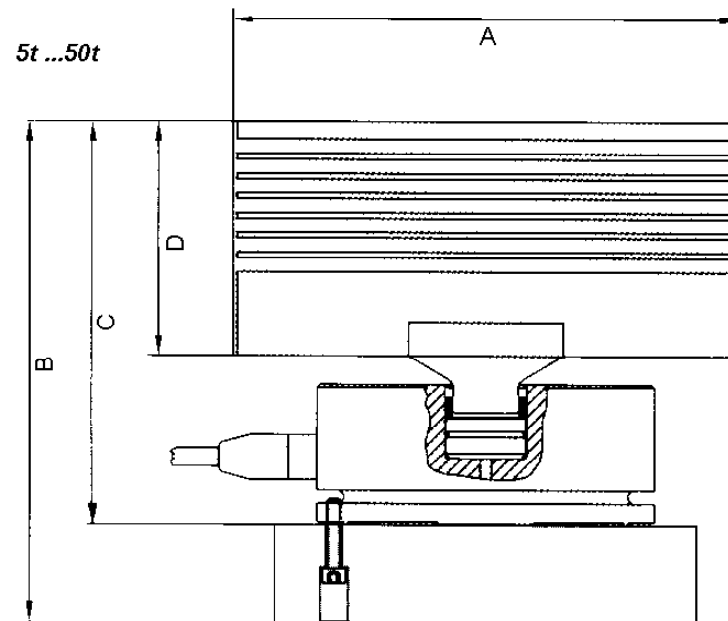
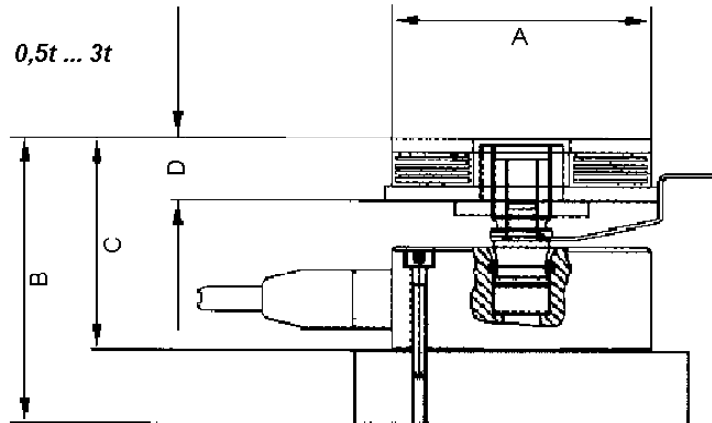


555/1

B Accessories / B Zubehör

B Mounting Parts / B Montageteile

Rubber Buffers / Elastomerlager



B (Capacity/Messbereich)	ØA (mm)	B (mm)	C (mm)	D (mm)	s max. (mm)	F _{vertical} (kN/mm)	F _{horizontal} (kN/mm)
500kg	70	72.5	57.5 ±3	17	2	50	500
1t	70	72.5	57.5 ±3	17	2	50	500
2t	70	87.5	57.5 ±3	17	2	50	500
3t	70	87.5	57.5 ±3	17	2	50	500
5t	100	134	70	26	4	78	320
10t	125	134	114	59	6	119	320
30t	180	176	143	83	10	165	800
50t	180	194	152	83	12	216	1000