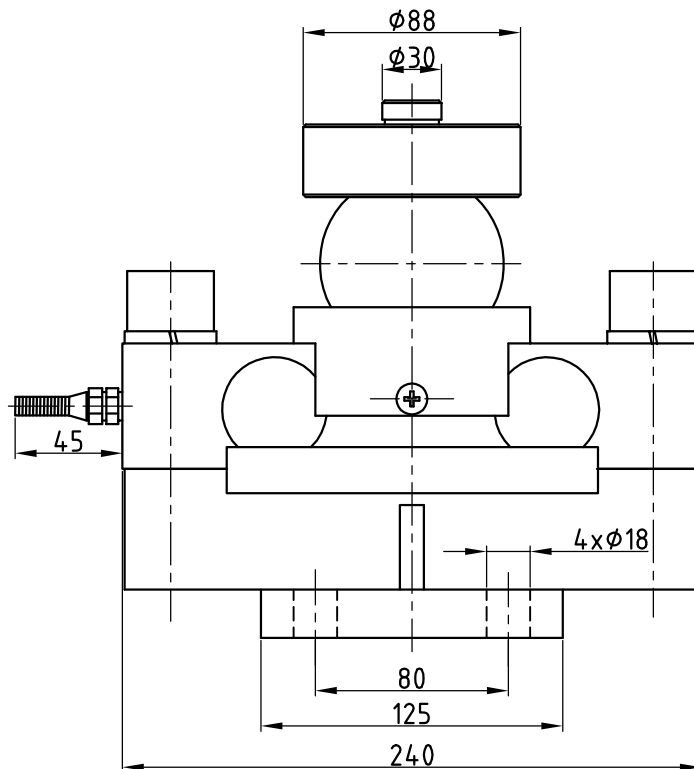
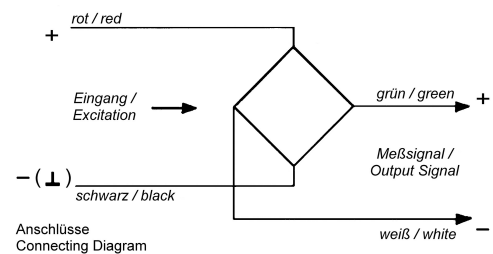
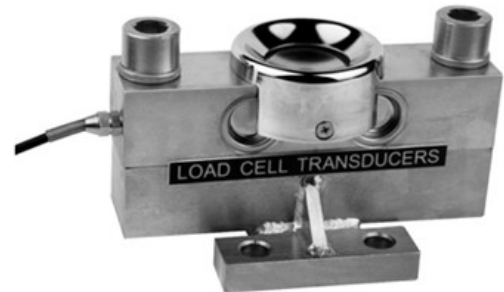


634-e

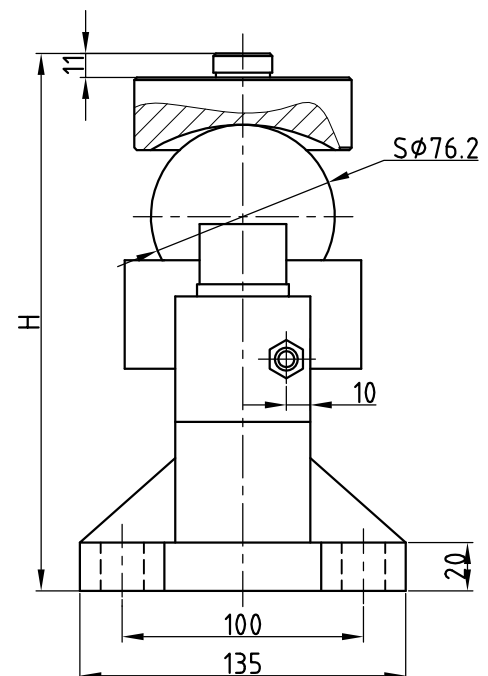
Double Shear Beam Load Cell, Type BQSA

10, 15, 20, 25, 30, 40 t

- For exact measurements of force and weight (compression)
- Measuring Body made of Alloy Steel (BQSA) or Stainless Steel (BQSS), with screened 4-wires Connecting Cable
- Temperature Range -30 to +70°C
- Non-Linearity $\pm 0.017\%$
- Zero Output Tolerance $\pm 1\%$
- Nominal Output at Capacity 2.0 mV/V $\pm 1\%$
- Excitation max. 15V
- Input Resistance approx. 750 Ω
- Output Resistance approx. 703 Ω
- Insulation Resistance > 5G Ω
- Safe Overload 120%
- Mechanical Failure 200%
- Environmental Protection IP68
- Simple Mounting



All Dimensions in mm



Capacity [t]	10/15/20/25/30	40
H [mm]	224.7	230.7