

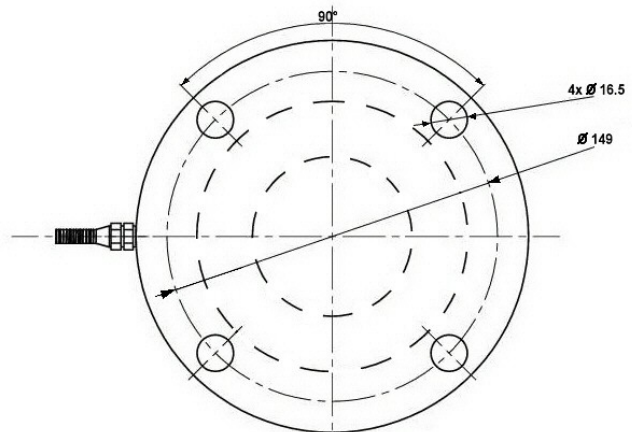
626-e

Load Cell, Type B-FL-20 with Saddle

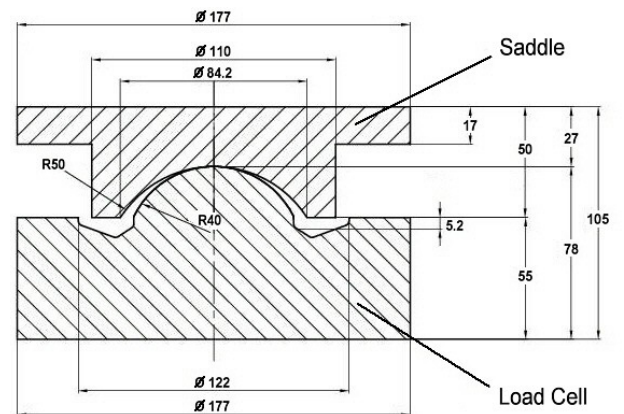
Capacity 20 Tons

Technical Specifications:

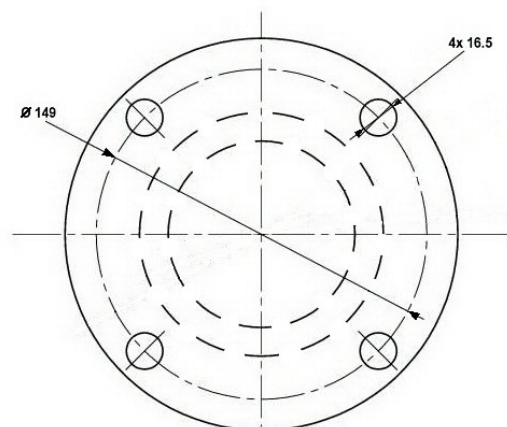
Material:	Stainless Steel
Nominal Output at Capacity:	2.00 ± 0.01mV/V
Non Linearity:	< 0.2%
Creep (30 min.):	< 0.1%
Zero Output Tolerance:	< 2%
Input Resistance:	750 ± 10Ω
Output Resistance:	703 ± 2Ω
Insulation Resistance (50V):	5000MΩ
Environmental Protection:	IP68
Temperature Effect per 10°C on:	
- Nominal Output	< 0.03%
- Zero Output	< 0.03%
Compensated Temp. Range:	-10 to +40°C
Operation Temp. Range:	-20 to +70°C
Excitation:	max. 15V
Safe Overload:	150%
Mechanical Failure:	200%
Cable Length:	5m
Cable Diameter:	6mm
Mounting Holes:	aligned



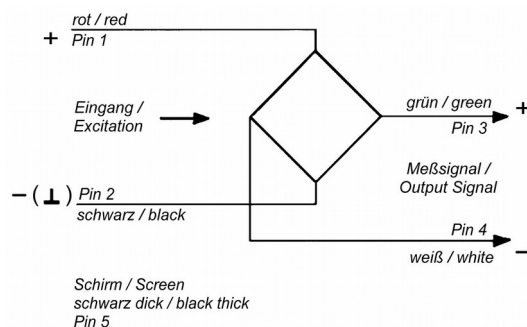
Load Cell



Load Cell



Saddle



Anschlüsse / Connection Diagram