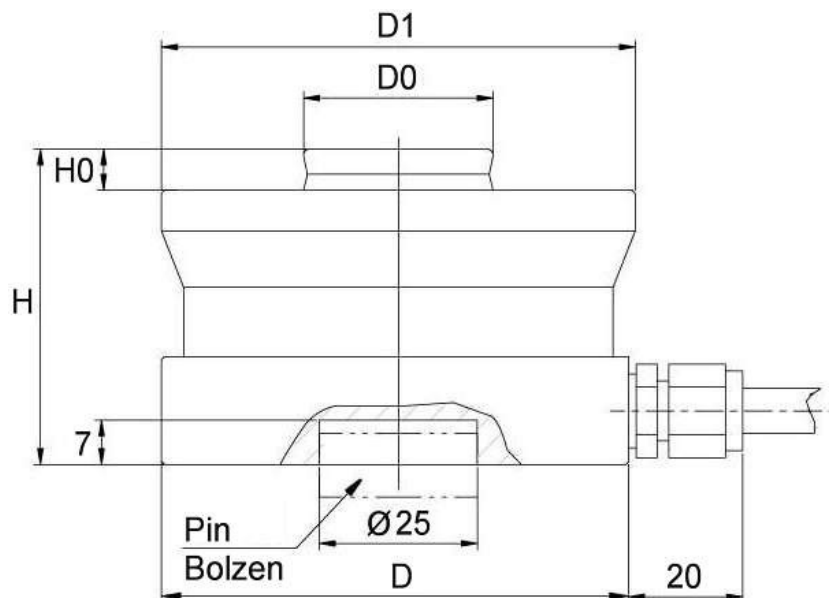
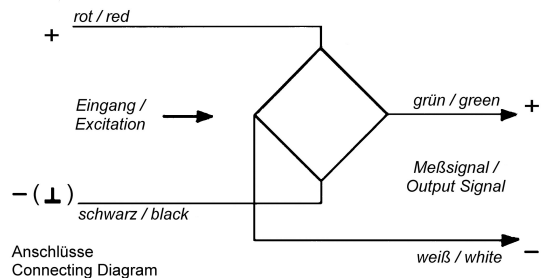


620-e

Load Cell, Type B-DJ High Capacity Weighing Sensor

- For accurate measuring of force and weight (compression)
- Measuring Body made of Stainless Steel
- Temperature Range -30 to +70°C
- Non Linearity $\pm 0.02\%$
- Zero Output Tolerance $\pm 1\%$
- Nominal Output at Capacity 2.85 mV/V $\pm 0.2\%$
- Excitation max. 15V
- Input Resistance $1450\Omega \pm 10\Omega$
- Output Resistance $1402\Omega \pm 5\Omega$
- Insulation Resistance $>5G\Omega$
- Safe Overload 150%
- Mechanical Failure 200%
- Environmental Protection IP68
- Simple Mounting



Capacity [t]	D [mm]	D0 [mm]	D1 [mm]	H [mm]	H0 [mm]	Cable [m]
10 / 15 / 22	Ø 75	Ø 30	Ø 75	50	6.5	12
33	Ø 95	Ø 40	Ø 95	65	10	12
47	Ø 130	Ø 60	Ø 130	75	14	16
68	Ø 130	Ø 60	Ø 130	85	14	16
100	Ø 150	Ø 70	Ø 150	90	16	16
150	Ø 150	Ø 70	Ø 150	100	16	16
220	Ø 225	Ø 100	Ø 225	130	24	16
330	Ø 225	Ø 100	Ø 225	145	24	16