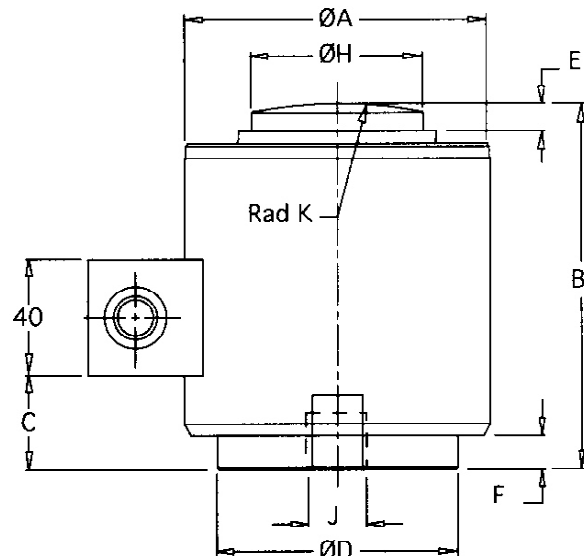
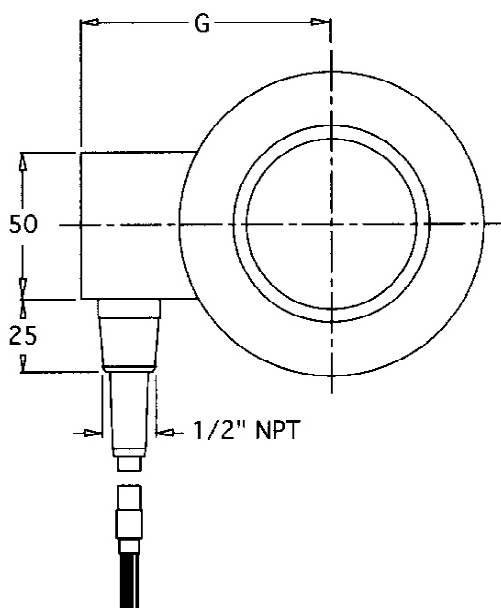
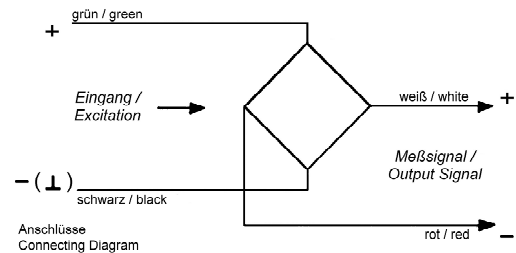


545-e

## Load Cell, Type B-CS-C3 (Weighing Sensor)

- OIML R60, Accuracy Class C3
- Also available in class C4
- For measuring force and weight (compression), for the use in road weigh bridges (truck scales)
- Measuring Body made of Stainless Steel
- Temperature Range -10 to +40°C
- Non Linearity < 0.02%
- Zero Output Tolerance < ± 1%
- Nominal Output at Capacity 2 mV/V ±1%
- Excitation max. 18V
- Input Resistance 450Ω ± 4.5Ω
- Output Resistance 480Ω ± 4.8Ω
- Insulation Resistance > 5GΩ
- Safe Overload 150%
- Mechanical Failure 400%
- Environmental Protection IP68



Capacity [t]	Dimensions [mm]								J [mm]	Rad K [m]	Cable [m]
	A	B	C	D	E	F	G	H			
10 / 25	73.0	82.5	12.0	58.0	6.5	1.5	64.0	31.8	M12x1.75 (11 deep)	152.0	10
40 / 60	105.0	127.0	34.0	82.5	8.0	11.0	87.0	58.7	M20x2.5 (20 deep)	152.0	20