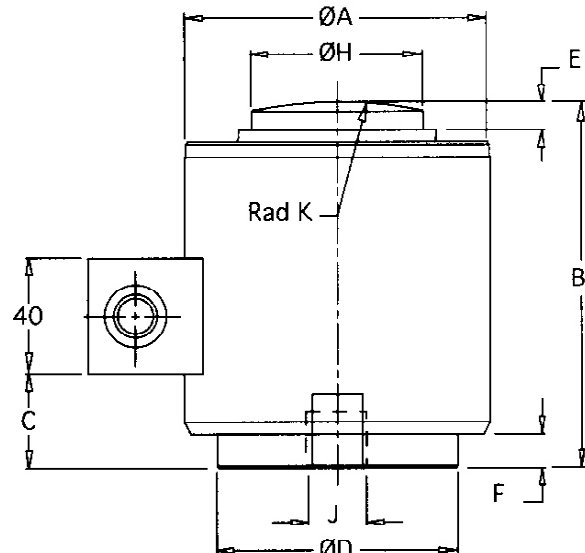
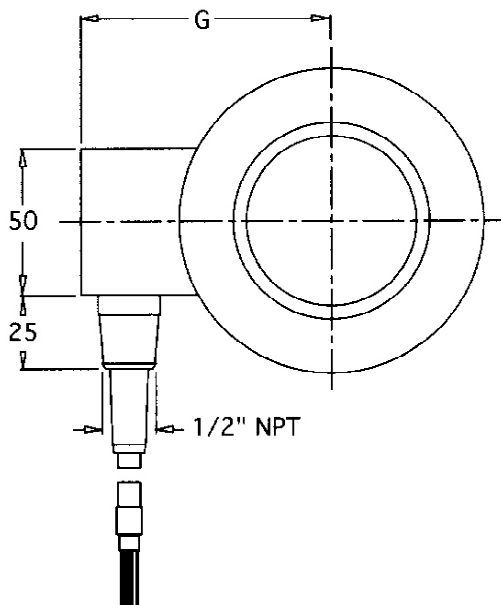
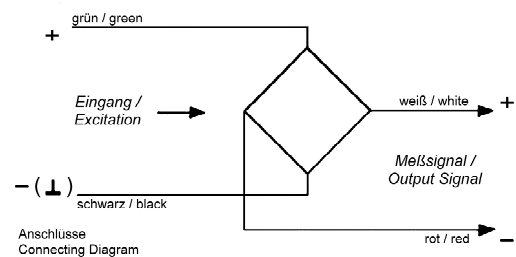




543-e

## Load Cell, Type B-CS-CC (Weighing Sensor)

- For measuring force and weight (compression)
- Measuring Body made of Stainless Steel
- Temperature Range -10 to +40°C
- Non Linearity < 0,05%
- Zero Output Tolerance < ± 1%
- Nominal Output at Capacity 2 mV/V ±1%
- Excitation max. 18V
- Input Resistance 450Ω ± 4.5Ω
- Output Resistance 480Ω ± 4.8Ω
- Insulation Resistance > 5GΩ
- Safe Overload 150%
- Mechanical Failure 400%
- Environmental Protection IP68



Capacity [t]	Dimensions [mm]								J [mm]	Rad K [m]	Cable [m]
	A	B	C	D	E	F	G	H			
100	152.4	184.2	72.3	123.8	23.6	21.8	108.2	79.2	M20x2.5 (20 deep)	432.0	20