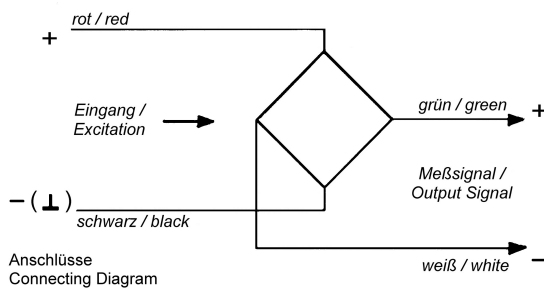
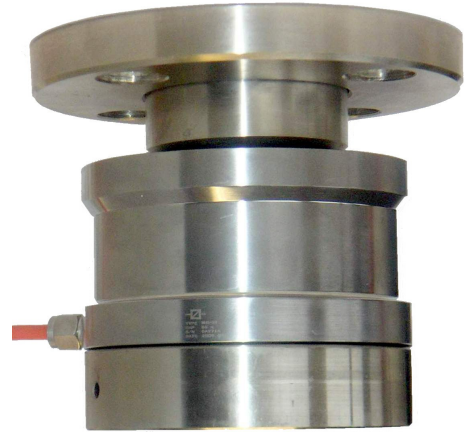




619-e

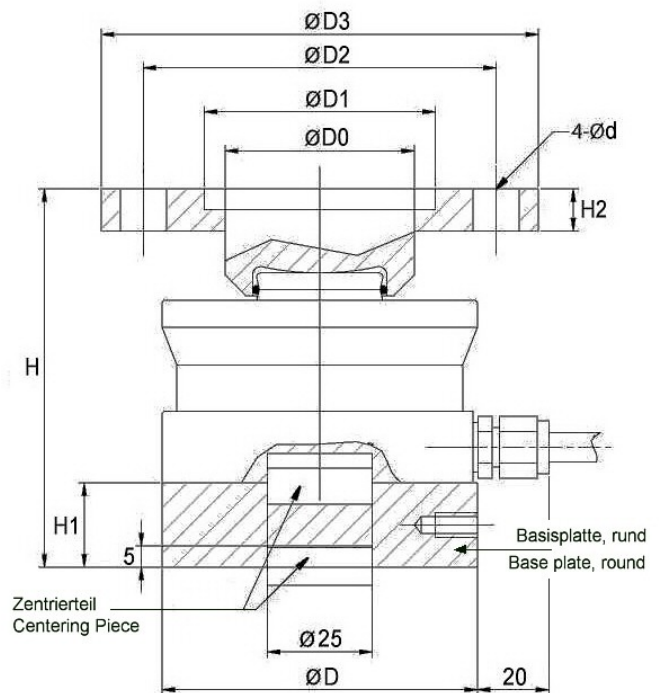
Weighing Module, Type B-DJ-EME (Mounting Set)

- For measuring force and weight (compression)
- With mounting flange, easy mounting
- **Ideal (mounting very advantageous) for silos and weigh bins**
- Compact design, stainless steel
- High protection (IP68), for rough environments
- Different capacities available
- Suitable for all common weighing electronics



B-DJ-EME Capacity [t]	Dimensions [mm]								
	H	H1	H2	D	D0	D1	D2	D3	d
10 / 15 / 22	95	20	10	75	45	55	80	100	11.5
33	120	25	12	95	58	68	95	120	13
47	140	30	20	130	80	92	130	170	17.5
68	150	30	20	130	80	92	130	170	17.5
100	177	40	22	150	100	110	150	200	25
150	187	40	22	150	100	110	150	200	25
220	240	40	38	225	180	200	250	300	25

Cable length: 12m (10-33t); 16m (47-220t)



Technical Specifications:

Nominal Output at Capacity	2.85 ± 0.01mV/V
Non Linearity	< 0.03%
Creep (30min)	< 0.03%
Zero Output Tolerance	< 1%
Input Resistance	approx. 1450Ω
Output Resistance	1402Ω ± 3Ω
Insulation Resistance (50V)	5GΩ
Environmental Protection	IP68

Temperature Effect per 10°C on:

- Nominal Output	< 0.03%
- Zero Output	< 0.03%
Compensated Temp. Range	-10 to +40°C
Operating Temp. Range	-30 to +70°C
Excitation	max. 15V
Safe Overload	150%
Mechanical Failure	200%