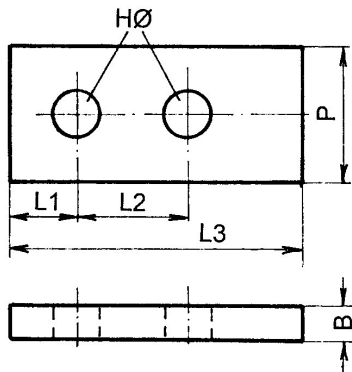


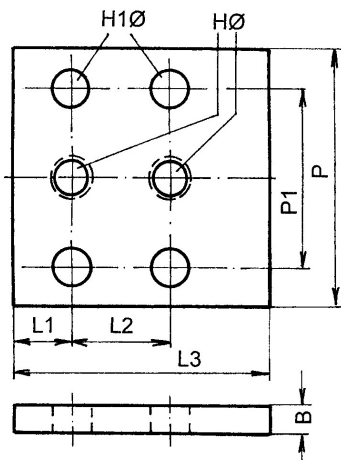
596/2

**Distanzplatten, Montageplatten, Nivellierbleche  
für Wägezellen BS 25 & BS 38  
Spacers, Mounting Plates, Levelling Spacers  
for Load Cells BS 25 & BS 38**



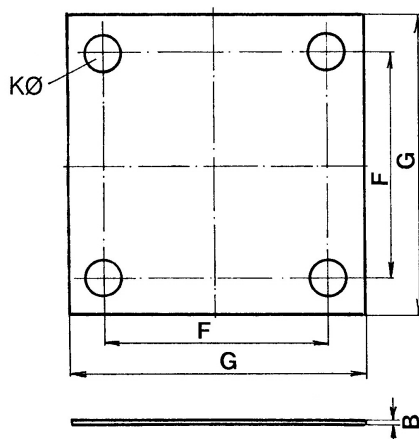
|     | Distanzplatte / Spacer |        |         |        |
|-----|------------------------|--------|---------|--------|
|     | BS 25                  |        | BS 38   |        |
|     | Vers.1                 | Vers.2 | Vers.1  | Vers.2 |
| B ■ | 3                      | 8      | 3       | 10     |
| HØ  | 13                     |        | 21      |        |
| L1  | 15                     |        | 19,1    |        |
| L2  | 25,4                   |        | 38,1    |        |
| L3  | 70,5                   |        | 92      |        |
| P   | min. 31                |        | min. 40 |        |

Maße in mm / Dimensions in mm



|      | Montageplatte / Mounting Plate |        |          |        |
|------|--------------------------------|--------|----------|--------|
|      | BS 25                          |        | BS 38    |        |
|      | Vers.1                         | Vers.2 | Vers.1   | Vers.2 |
| B ■■ | 10                             |        | 15       |        |
| HØ   | M12                            |        | M20      |        |
| H1Ø  | 11                             |        | 17       |        |
| L1   | 15                             |        | 19,1     |        |
| L2   | 25,4                           |        | 38,1     |        |
| L3   | 70,5                           |        | 92       |        |
| P    | min. 76                        |        | min. 104 |        |
| P1   | 56                             |        | 76       |        |

Maße in mm / Dimensions in mm



|    | Nivellierblech / Levelling Spacer |       |
|----|-----------------------------------|-------|
|    | BS 25                             | BS 38 |
| B  | 0,5 oder/or 0,8 oder/or 1,0       |       |
| F  | 68                                | 92    |
| G  | 88                                | 116   |
| KØ | 11                                | 13    |

Maße in mm / Dimensions in mm