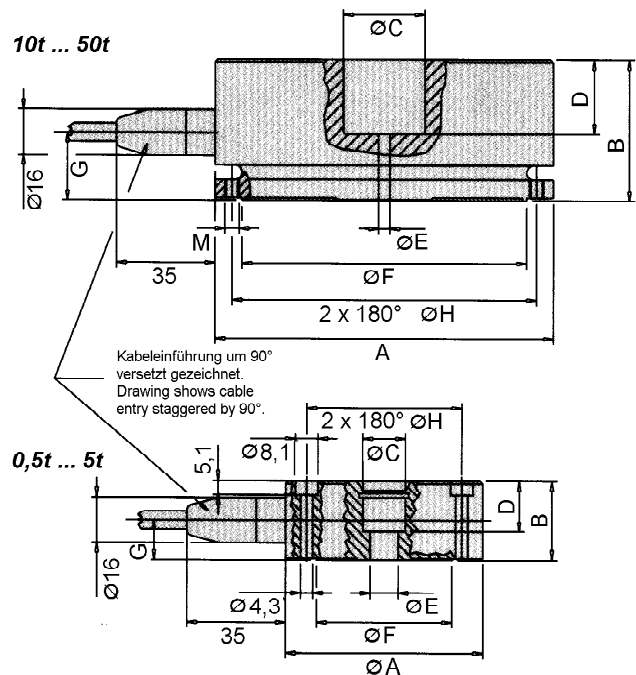
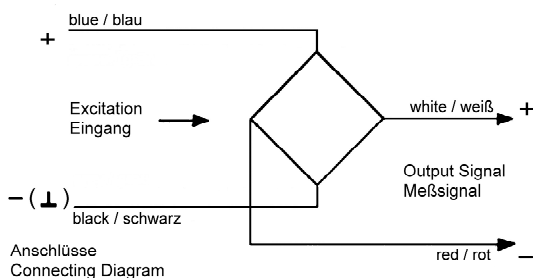


555-e

Load Cell, Type B

(Weighing Sensor)

- OIML R60, Accuracy Class C3
- For exact measurements of force and weight (tension and compression)
- Measuring Body made of Stainless Steel
- Temperature Range -20 to +60°C
- Non Linearity < 0.017%
- Zero Output Tolerance $\pm 1\%$
- Nominal Output at Capacity 2 mV/V $\pm 1\%$
- Excitation max. 24V
- Input Resistance 1160 Ω $\pm 60\Omega$
- Output Resistance 1015 Ω $\pm 65\Omega$
- Insulation Resistance > 20G Ω
- Safe Overload 150%
- Mechanical Failure 500%
- Environmental Protection IP68



Capacity [t]	Dimensions [mm]									Cable [m]
	ØA	B	ØC	D	ØE	F	G	ØH	M	
0.5 / 1	52	25	10	18	7	8	13	43	4.3	3
2 / 3	70	28	15	18	10	8	14	55	4.3	6
5	92	32	18	21	15	9	16	80	4.3	10
10	92	33	28	15	4	15	20	80	M5	10
30	120	50	29	26	4	15	24	108	M5	10
50	130	60	40	29	4	20	36	120	M6	16