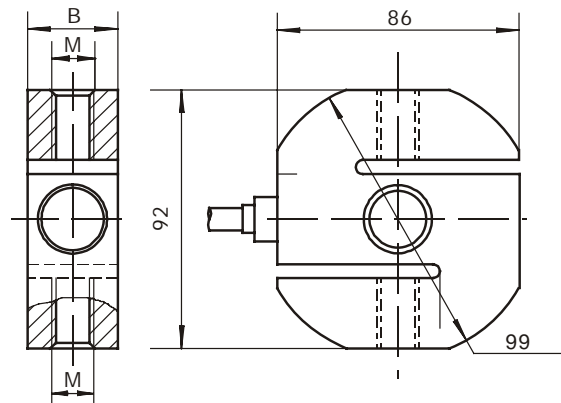
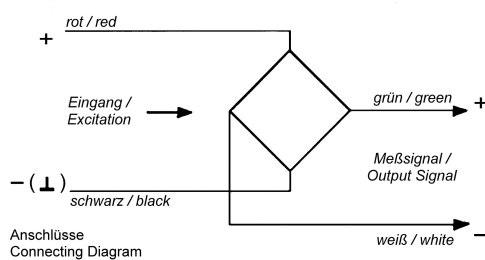


528-e

Load Cell, Type ST-BM-C3 (BM3) (Weighing Sensor)

- OIML R60, Accuracy Class C3
- For exact measurements of force and weight (tension and compression)
- Measuring Body made of Stainless Steel
- Temperature Range -10 to +40°C
- Non Linearity $\pm 0.02\%$
- Zero Output Tolerance $\pm 1\%$
- Nominal Output at Capacity 2 mV/V $\pm 0.2\%$
- Excitation max. 15V
- Input Resistance $350\Omega \pm 3.5\Omega$
- Output Resistance $350\Omega \pm 3.5\Omega$
- Insulation Resistance $> 5G\Omega$
- Safe Overload 150%
- Mechanical Failure 300%
- Environmental Protection IP68
- Simple Mounting



Dimensions in mm

| Capacity [kg] | 500 | 1000 | 2000 | 3000 | 4000 | 5000 | 6000 | 7500 |
|---------------|----------|----------|---------|---------|---------|-------|-------|-------|
| B [mm] | 32 | 32 | 32 | 32 | 36 | 50 | 50 | 50 |
| M (Thread) | M12x1.75 | M12x1.75 | M20x1.5 | M20x1.5 | M20x1.5 | M24x2 | M24x2 | M24x2 |
| Cable [m] | 3 | 6 | 6 | 6 | 6 | 6 | 6 | 6 |