

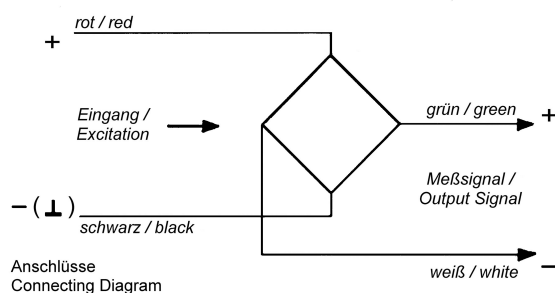
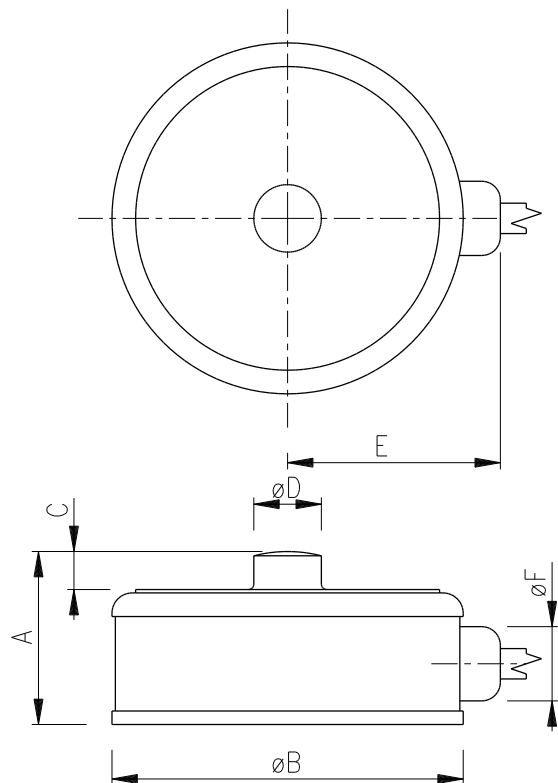


509-e

## Load Cell, Type BF-E

(Weighing Sensor)

- For measuring force and weight (compression)
- Measuring Body made of Stainless Steel
- Temperature Range -10 to +50°C
- Non Linearity  $\pm 0.07\%$
- Zero Output Tolerance  $\pm 1\%$
- Nominal Output at Capacity 2 mV/V  $\pm 1\%$
- Excitation max. 15V
- Input Resistance approx. 410 $\Omega$
- Output Resistance approx. 350 $\Omega$
- Insulation Resistance > 5G $\Omega$
- Safe Overload 150%
- Mechanical Failure 300%
- Environmental Protection IP68
- Simple Mounting



BF-E Capacity [t]	Dimensions [mm]						Cable [m]
	A	B	C	D	E	F	
0.5 / 1 / 2.5	25	52	5	10	31	10.5	3
5 / 10	35	100	7	20	55	10.5	5
25	50	115	10	32	62.5	10.5	10
50	55	155	13	45	82.5	10.5	10